

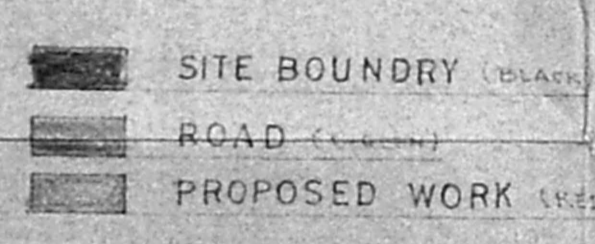
SL NO	BUILDING DESCRIPTION	DRAWING NO.	TOWNSHIP / MMDA APPROVAL REFERENCE		AREA			REMARKS		
			NO	DATE	BUILT UP AREA IN SQ. FT.	FIRST FLOOR BUILT UP AREA IN SQ. FT.	BASEMENT FLOOR BUILT UP AREA IN SQ. FT.			
1	MAIN FACTORY	WEC 10221 WEC 10234 WEC 10598 WEC 10621	BA 99/67-68 FI BA 79/68-69 FI BA 151/70-71 FI BA 79/72-73 FI	19-11-68 25-11-68 12-11-71 27-12-72	302574	20480	1484			
2	FRONT ENTRANCE	WEC 10354	BA 33/69-70 FI	8-10-69	1024	896				
3	ANNEXE EAST 64x64'x10' + 22x64' + 17x64'	WEC 10246 WEC 10246 WEC 10069	BA 114/67-68 BA 80/68-69 BA 107/66-67 FA	24-2-68 25-1-68 20-5-67	43456	1680				
4	DIESEL COMPRESSOR ROOM	WEC 10254	BA 136/67-68 FI	15-3-68	1280					
5	COOLING TOWER & PUMP HOUSE	WEC 10341	BA 128/68-69 FI	11-6-69	372					
6	DIL STORAGE AREA	WEC 10407			4320					
7	RCC OVER HEAD TANK 30000 GALS 26' DIA	WEC 10403			530					
8	STEEL OVER HEAD WATER TANK 6000 GALS 13'x10'	WEC 10064	BA 53/67-68 FI		130					
9	WATER TREATMENT PLANT 30'x45'	WEC 10288	BA 78/68-69 FI	25-11-68	1350					
10	AERATION TANK NEAR WATER TANK 17'x33'	WEC 10288	BA 78/68-69 FI	25-11-68	561					
11	RAW WATER PUMP HOUSE 11'x12'	WEC 10288	BA 78/68-69 FI	25-11-68	132					
12	RAW WATER COLLECTION TANK 40'x46'	WEC 10288	BA 78/68-69 FI	25-11-68	1840					
13	OLD WELL 50' DIA	EXISTING			1964					
14	FIRE HYDRANT PUMP HOUSE 12'x23'	WEC 10251	BA 107/66-67 FA	20-5-67	276					
15	STATIC WATER (FIRE HYDRANT) TANK 40'x56'	WEC 10251	BA 107/66-67 FA	20-5-67	2576					
16	SEPTIC TANKS 40'x43'	WEC 10183	BA 120/67-68 FI	24-2-68	1720					
17	TET PLANT 20'x80'	WEC 10146	BA 53/67-68 FA	24-11-67	1600					
18	TET TANKS	WEC 10025	BA 107/66-67 FA	20-5-67	2710					
19	TUBULAR SHED EAST (CARPENTRY & SHEET METAL) 192'x45' + 192'x20'	WEC 10530 WEC 10266	BA 105/69-70 FI BA 111/68-69 FI	20-6-70 22-7-69	12480					
20	INFLAMMABLE STORE 32'x46'	WEC 10276	BA 111/68-69 FI	22-7-69	1472					
21	EFFLUENT WATER COLLECTION TANKS 24 DIA X 2 NOS	WEC 10363	BA 38/69-70 FI	8-10-69	900					
22	SCRAP SHED 25'x82'	WEC 10318	BA 106/68-69 FI	1-3-69	2050					
23	CLARIFACULATOR 25'φ	WEC 10138	BA 53/67-68 FA	24-11-67	490					
24	FILTER BED 21'x43'	WEC 10180	BA 120/67-68	15-2-68	903					
25	SLUDGE DRYING BED 106'x48'	WEC 10124	BA 53/67-68 FI	4-11-67	5088					
26	LPG STORAGE AREA 182'x160'		BA 123/68-69 FI		29120					
27	LAGOON 450'x265' (TREATED WATER)	EXISTING			113350					
28	WEIGH BRIDGE 30TON	WEC 11387 WEC 12550 WEC 12512/12356		13-3-70 1-1-69	580					
29	HEAT TREATMENT & PLATING 192'x96'	WEC 1269/11			18432	540	2860			
30	GENERATOR ROOM 'C' NEAR CANTEEN & 130'x66'				1966					
31	CANTEEN (OWN FOOD)	J 279/72 WEC 10920 G 295/72	BA 263/74-75 FI BA 263/74-75 FI	25-5-75 25-5-75	3450 26410					
32	CANTEEN (GENERAL)	WEC 12699			12740		12740			
33	R&D AND COMPUTER CENTRE 17'x60'x15'x30'	N 1594/80			6496					
34	PROVING LAB 11'x17'	N 1594/80			5184					
35	PROCESS DEVELOPMENT SHOP 48'x72'	WEC 10383	BA 106/69-70	20-6-70	1800					
36	SPORTS & RECREATION CLUB 60'x30'	WEC 10378	EXISTING		1364					
37	KORATTUR WELL 50'φ	WEC 10378	EXISTING		1364					
38	ANNEXE WEST 40'x34.5'	WEC 10930	BA 141/72-73	31-12-73	13800					
39	COMMUTATOR SHOP 60'x30' + 11'x13'	G 303/72	BA 263/74-75	28-5-75	5543					
40	COMPRESSOR COOLING TOWER & PUMP HOUSE WEST 90'x21'	WEC 10678	BA 58/71-72	13-8-72	1890					
41	REDIAR WELL 26'φ	EXISTING			530					
42	LOCKERS & TOILET 66'x70'	WEC 12313			4620					
43	PADI WELL 50'φ	EXISTING			1364					
44	CAR & SCOOTER SHEDS	8178/A/71	BA 267/74-75 FI	28-5-75	44160					
45	CYCLE SHEDS	WEM 10084	BA 263/74-75 FI	23-5-75	10963					
46	TRAINING CENTRE	WEC 13015	BA 191/80/1	C/PP/59/87 29-5-87	10188					
47	PROCESS SPM 64'x60'	WEC 14325	468/68	C/PP/258/85/89 19-10-89	3840					
48	GENERATOR ROOM 'C' NEAR CANTEEN EXTENSION	WEC 12691/2	505/88	2-5-89	890					
49	MACHINE TOOL CENTRE	WEC 14248	561/68	C/PP/161/89 23-6-1989	12595					
50	MAIN FACTORY 6 BAY EXPANSION 125'x132'	WEC 14104/B			24576 SQ. FEET (2264 SQ. METRES)					
TOTAL					755210	0-311	49412	4344	606975	0-333

NOTE: THERE IS NO SECOND FLOOR IN ANY OF THE BUILDINGS.

ISSUE DETAILS
 o/e
 Planning Permit No. C/PP/54AD/91
APPROVED
 SUBJECT TO THE CONDITIONS IN THIS OFFICE LETTER.
 No. C/461/91 Date 14-3-91
 FOR MEMBER SECRETARY
 MADRAS METROPOLITAN
 DEVELOPMENT AUTHORITY
 CHAIRMAN 600 008

FACILITY SITE SURVEY NUMBERS & AREAS

NO	AREA	NO	AREA	NO	AREA	NO	AREA
1	1300	13	1300	25	1300	37	1300
2	1300	14	1300	26	1300	38	1300
3	1300	15	1300	27	1300	39	1300
4	1300	16	1300	28	1300	40	1300
5	1300	17	1300	29	1300	41	1300
6	1300	18	1300	30	1300	42	1300
7	1300	19	1300	31	1300	43	1300
8	1300	20	1300	32	1300	44	1300
9	1300	21	1300	33	1300	45	1300
10	1300	22	1300	34	1300		
11	1300	23	1300	35	1300		
12	1300	24	1300	36	1300		
TOTAL 24 18 670 SQ. FEET							



SCALE - 1:2000
 DRAWING NO. WEC 10545C

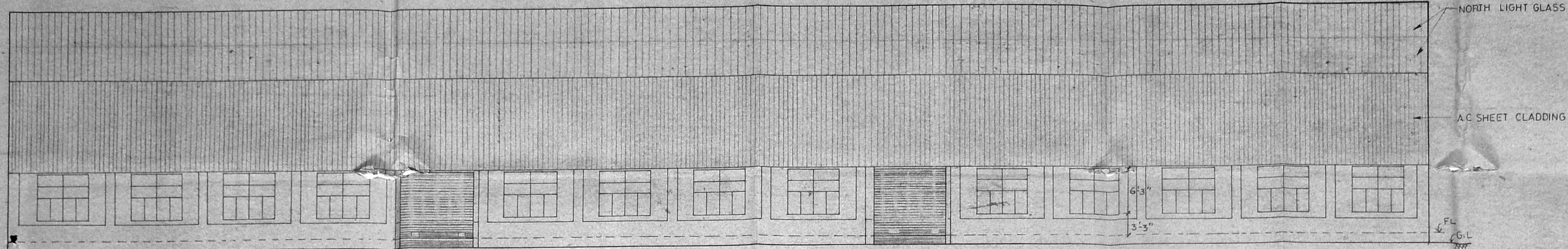
DESCRIPTION
LAYOUT OF LUCAS TVS LTD

SCALE 1:2000
 SINCE THE FACTORY AREA IS LARGE THE SITE PLAN IS DRAWN IN SCALE 1:2000 INSTED OF 1:400 AS STIPULATED.

DRN. DATE 24-8-88
 CKD. DATE
 APPD. DATE 24-8-88

DRAWING NO
WEC 10545 C
ISSUE B

P. S. SRINIVASAN
 LICENSED BUILDING SURVEYOR
 ANBARATTUR TOWN SHIP
 545, SECTOR IV 14th STREET
 K. K. NAGAR, MADRAS-78
 For LUCAS - TVS LIMITED
 M. Muthyanandan
 Nominated Occupier

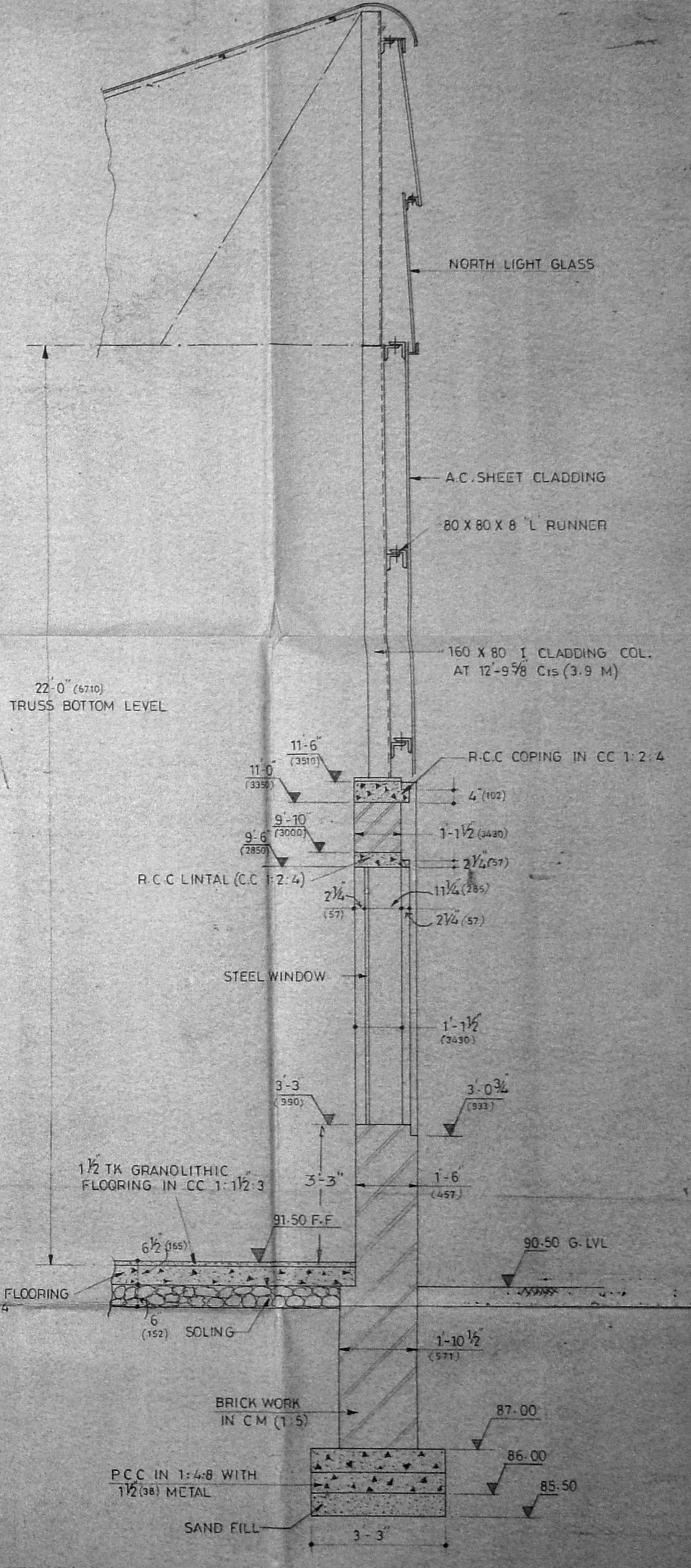


NORTHERN ELEVATION
 SCALE: 1" = 8'-0"



PLAN
 SCALE: 1" = 8'-0"

DESCRIPTION
 PROPOSED 6 BAY EXPANSION (NEAR G.R.D.)



SECTION AA
 SCALE: 1" = 2'-0"

G1, G2, G3, G4, H4 & I4 - EXISTING COLUMN
 H1, H2, H3, I1, I2 & I3 - PROPOSED COLUMN

P. S. SRINIVASAN,
 LICENSED SURVEYOR
 AMBATTUR TOWN SHIP
 545, SECTOR IV, 14th STREET
 K. K. NAGAR, MADRAS-78

For LUCAS-TVS LIMITED
P. S. Srinivasan
 P. S. Srinivasan
 Nominated Occupier

SCALE: AS ABOVE	MATERIAL:	HEAT TREATMENT	PLANT NO:
ALL DIMENSIONS ARE IN INCHES.	ALL DIMENSIONS ARE IN MM	ANGULAR DIMENSIONS: SHORTER SIDE OF ANGLE	DRN. DATE: 28-1-80
TOLERANCES: MACHINED SURFACES: ± 0.010	UNSPECIFIED MACHINING: DEVIATION LINEAR DIMS. OVER UP TO 30 30 ± 0.10 30 ± 0.15 120 ± 0.20 240 ± 0.30 300 ± 0.40 480 ± 0.50 960 ± 0.75 1920 ± 1.00	ANGLE: OVERHIP/PC	TCD DATE: 20-1-80
DECIMAL: ± 0.005	HOLE CENTRES: UP TO 1/2 DIA ± 0.005	OVERHIP/PC	CKD DATE: 20-1-80
OVER 1/2 DIA ± 0.012	OVER 1/2 DIA ± 0.012	OVERHIP/PC	APP DATE: 20-1-80

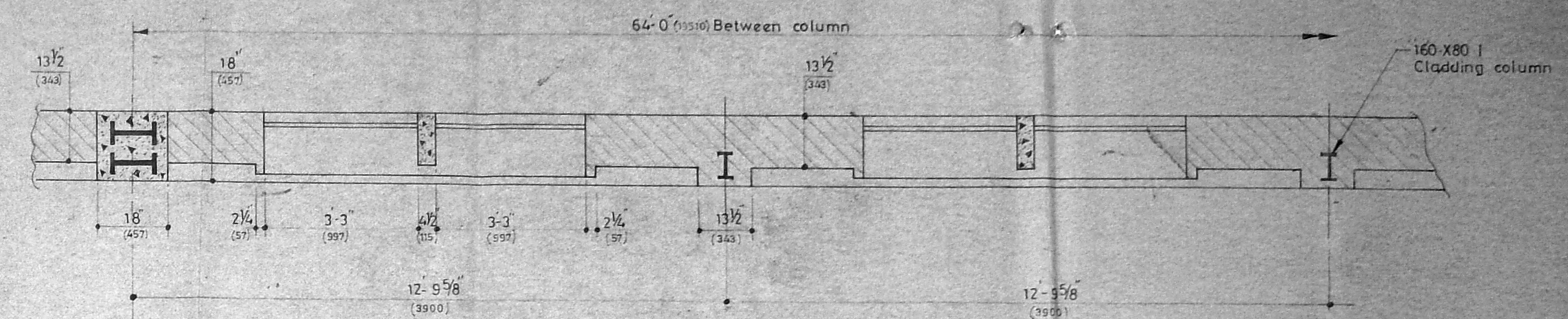
SLNO	REVISIONS	SIG.

DRAWING NO.
W.E.C. 14104/B
 SHEET NO. 1

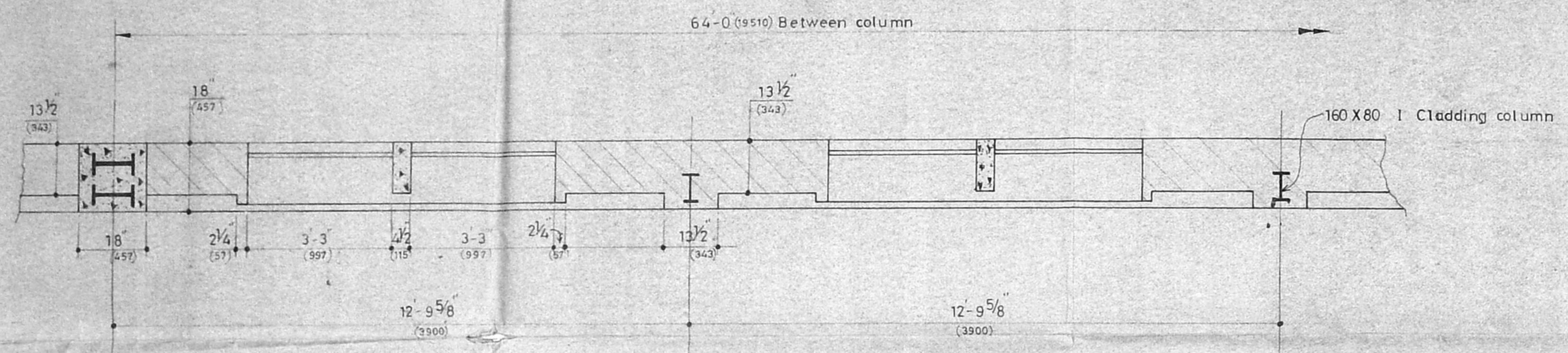
Planning Permit No. CLP/54CD/91
APPROVED
 SUBJECT TO THE CONDITIONS
 No. 02/461/91 of 13-9-91
 FOR MEMBER SECRETARY
 MADRAS METROPOLITAN
 DEVELOPMENT AUTHORITY
 MADRAS - 600 006.



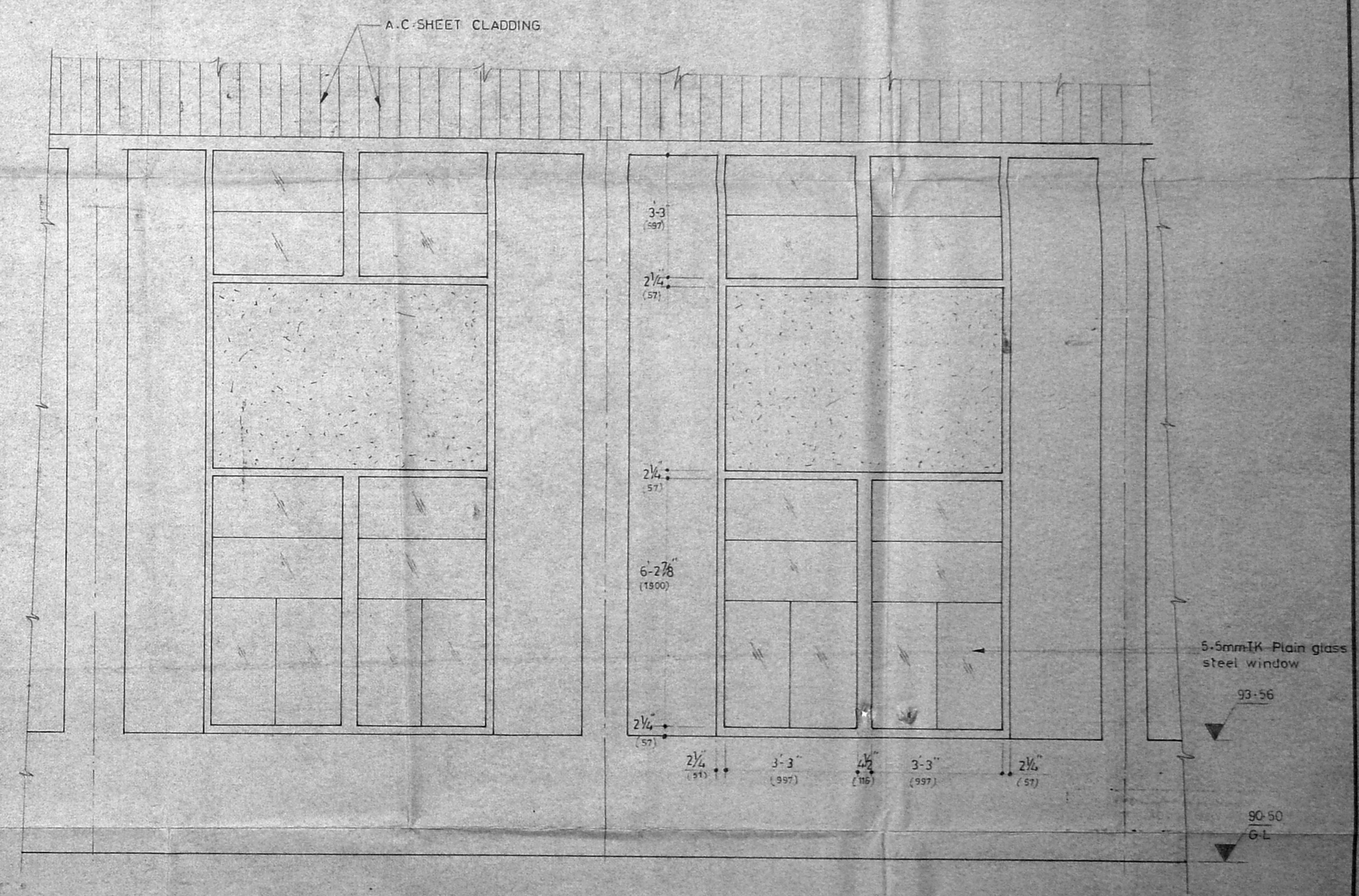
EASTERN SIDE ELEVATION
 SCALE: 1" = 8'-0"



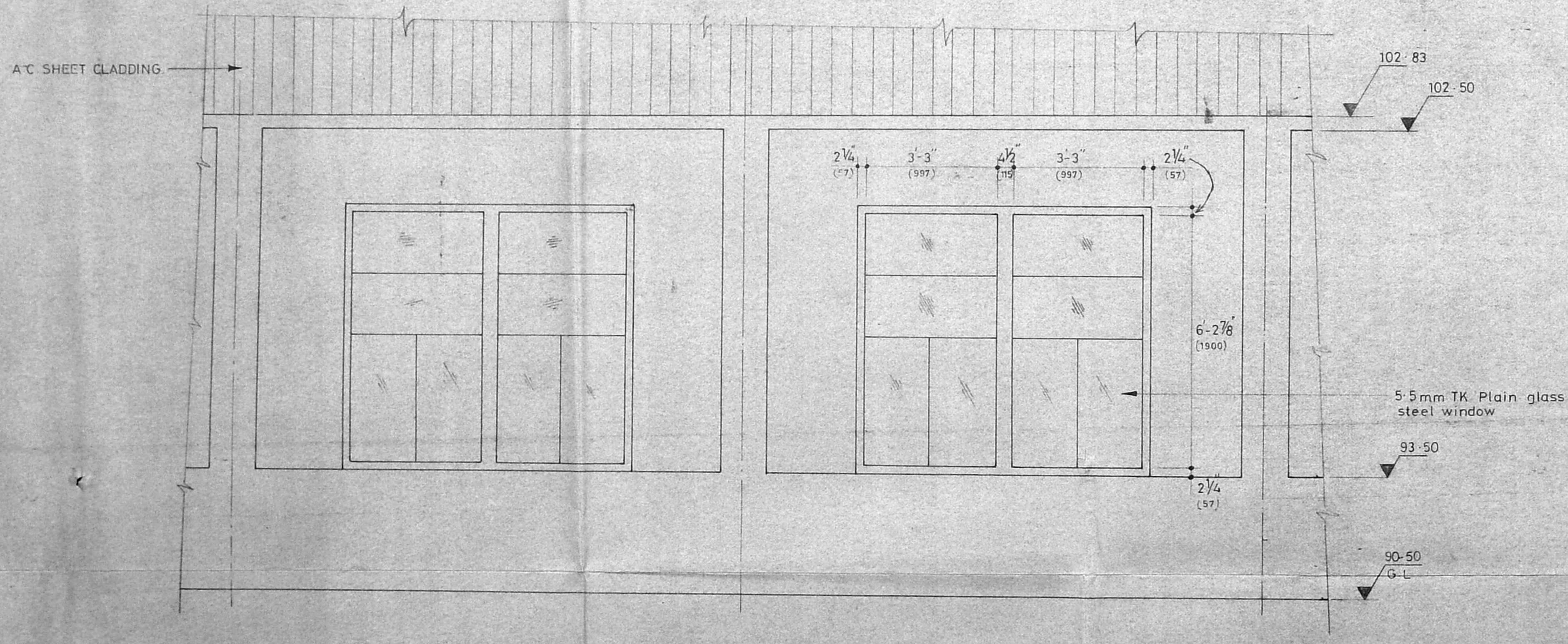
PLAN OF EASTERN WALL
 SCALE = 1" = 2'-0"



PLAN OF NORTHERN WALL
 SCALE = 1" = 2'-0"



ELEVATION OF EASTERN WALL
 SCALE - 1" = 2'



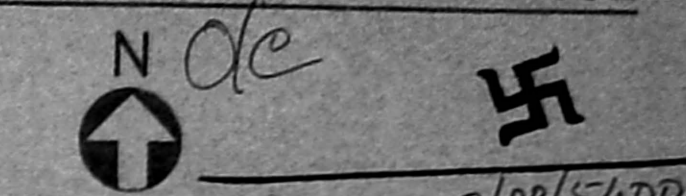
ELEVATION OF NORTHERN WALL
 SCALE - 1" = 2'

P. S. Srinivasan
P. S. SRINIVASAN,
 LICENSED BUILDING SURVEYOR
 AMBATTUR TOWN SHIP,
 845, SECTOR IV 14B STREET
 K. K. NAGAR, MADRAS-78
 For LUCAS-TVS LIMITED
M. Muthu Arundhan
 M. MUTHU ARUNDHAN
 Nominated Occupier

DESCRIPTION
 PROPOSED 6 BAY EXPANSION (NEAR G.R.D.)

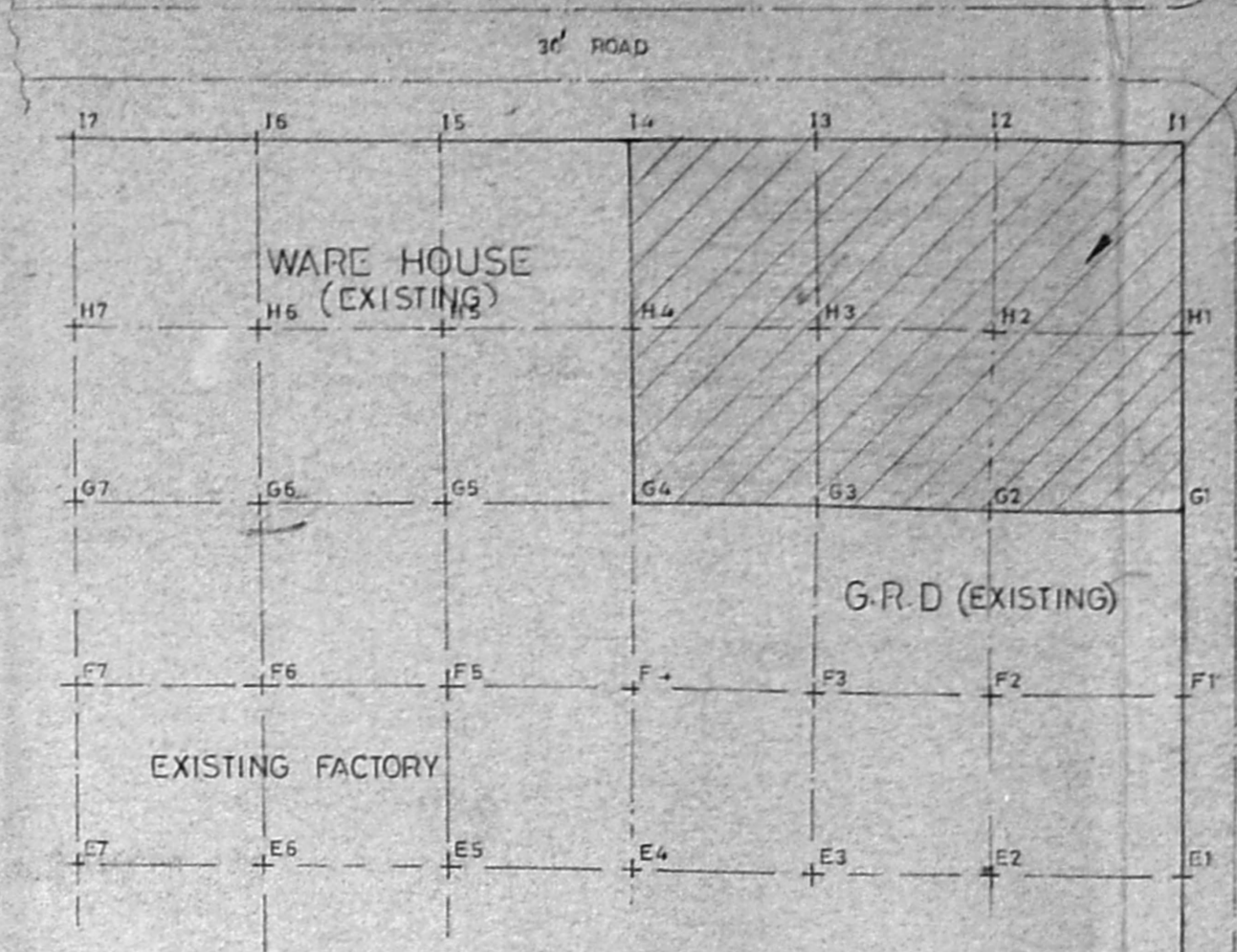
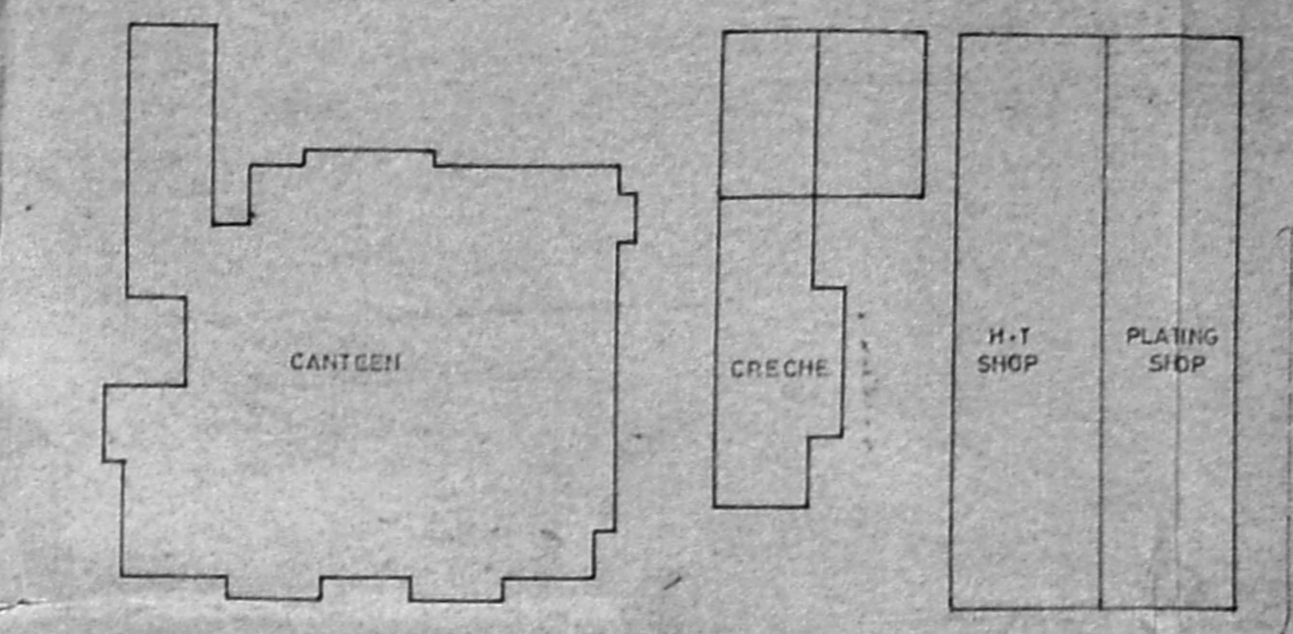
SCALE: AS ABOVE	MATERIAL:	SL No.	REVISIONS	SIG.
	HEAT TREATMENT			
ALL DIMENSIONS ARE IN INCHES	ALL DIMENSIONS ARE IN MM	DRN	DATE	
TOLERANCES:	UNSPECIFIED MACHINING DEVIATION LINEAR DIMS. OVER 1" UP TO 1" DEVIATION	TCD	DATE	
MACHINED SURFACES FRACT 1:010	0 0 0 1	CKO	DATE	
DECIMAL 1:003	0 30 0 2	APP	DATE	
HOLE CENTRES UP TO 1.0 DIA 1:008	120 215 0 5			
OVER 1/2 DIA 1:012	1000 2000 0 10 120 0 0 0 10			
	ANGULAR DIMENSIONS LENGTH OF DEVIATION IN THROTTLE SIDE OF ANGLE MM OR DEGREES			
	0 10 0 1 0 1			
	10 50 0 2 0 30			
	90 120 0 6 0 20			
	120 0 0 0 10			

DRAWING NO.
W.E.C. 14 104/B
SHEET NO. 2

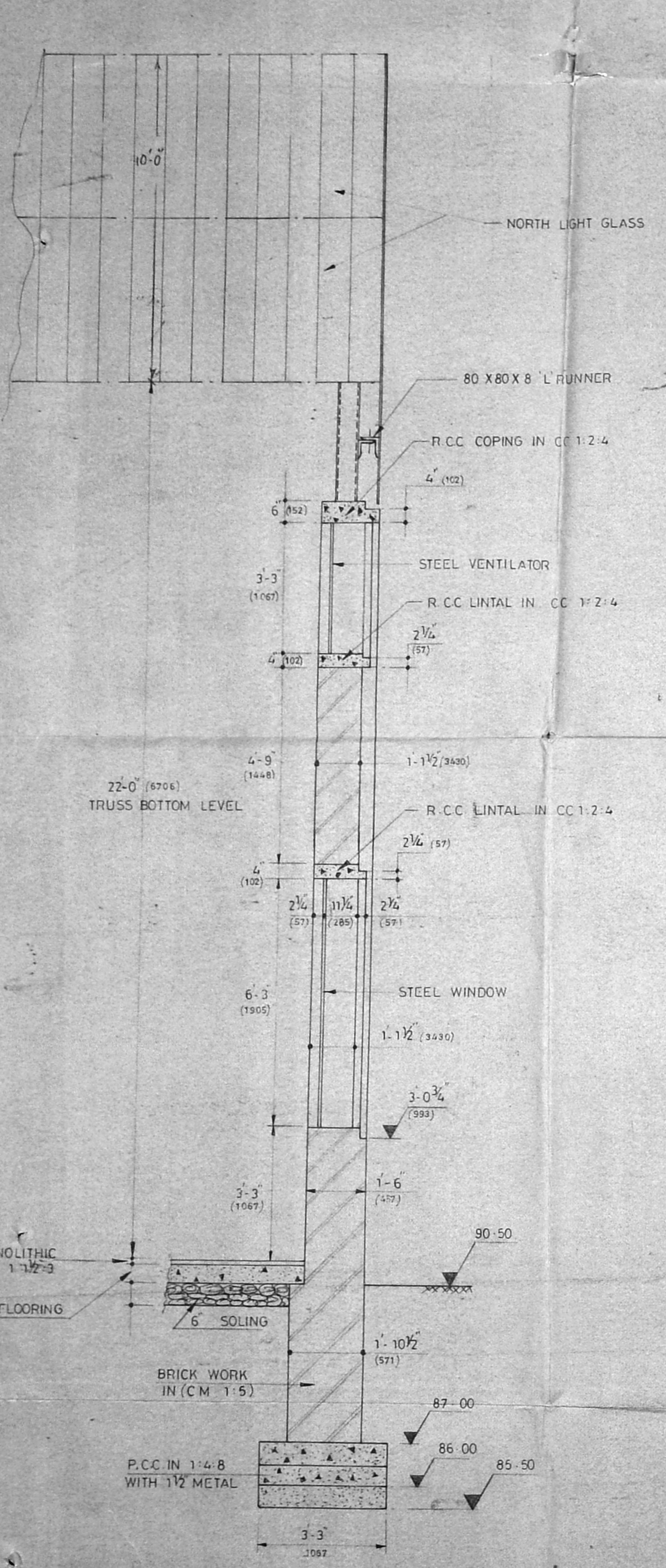


PROPOSED **APPROVED**
 SUBJECT TO THE CONDITIONS IN THIS OFFICE LETTER
 No. 21461/91 Date 14-3-91

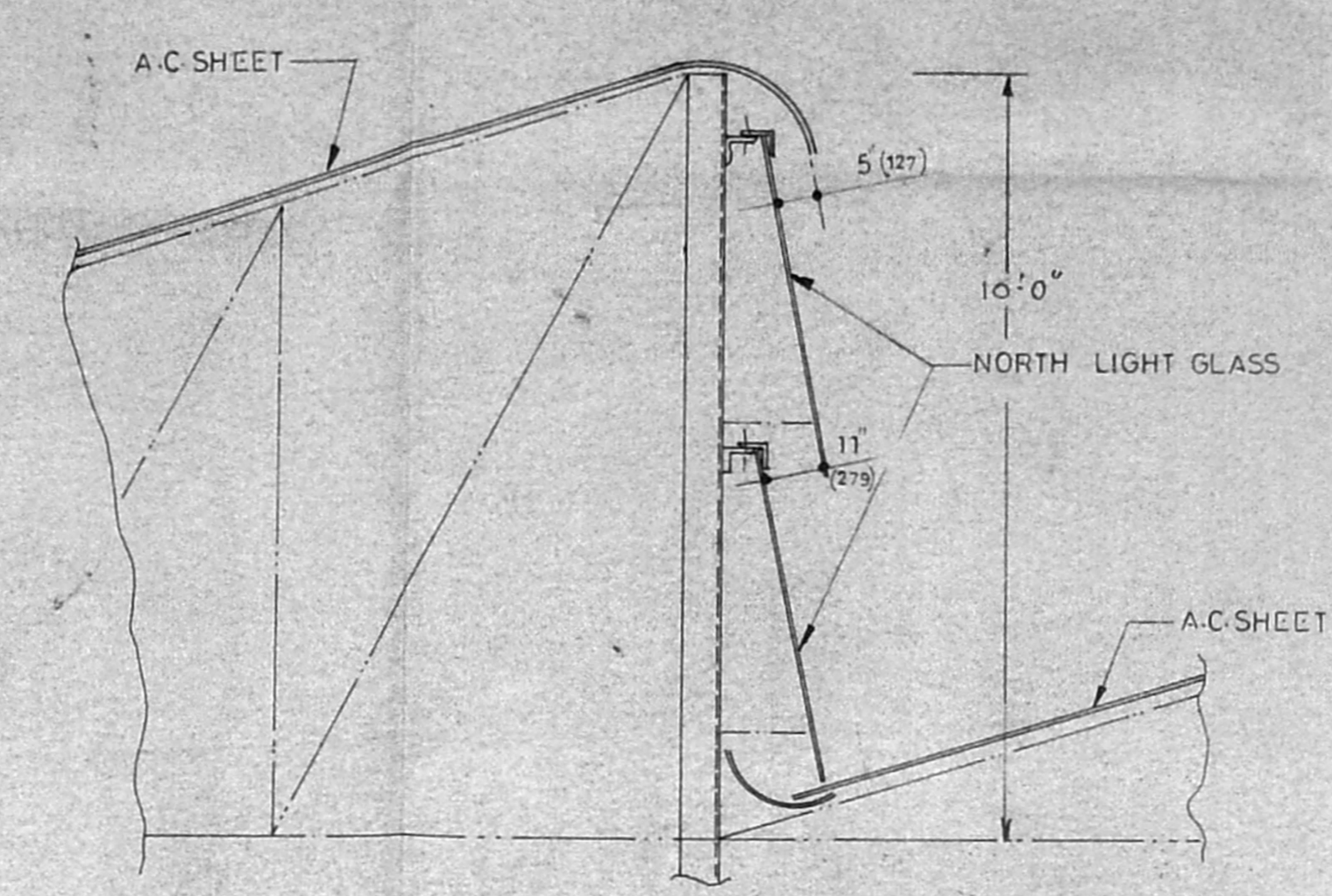
FOR MEMBER SECRETARY
 MADRAS METROPOLITAN
 DEVELOPMENT AUTHORITY
 MADRAS 600 008



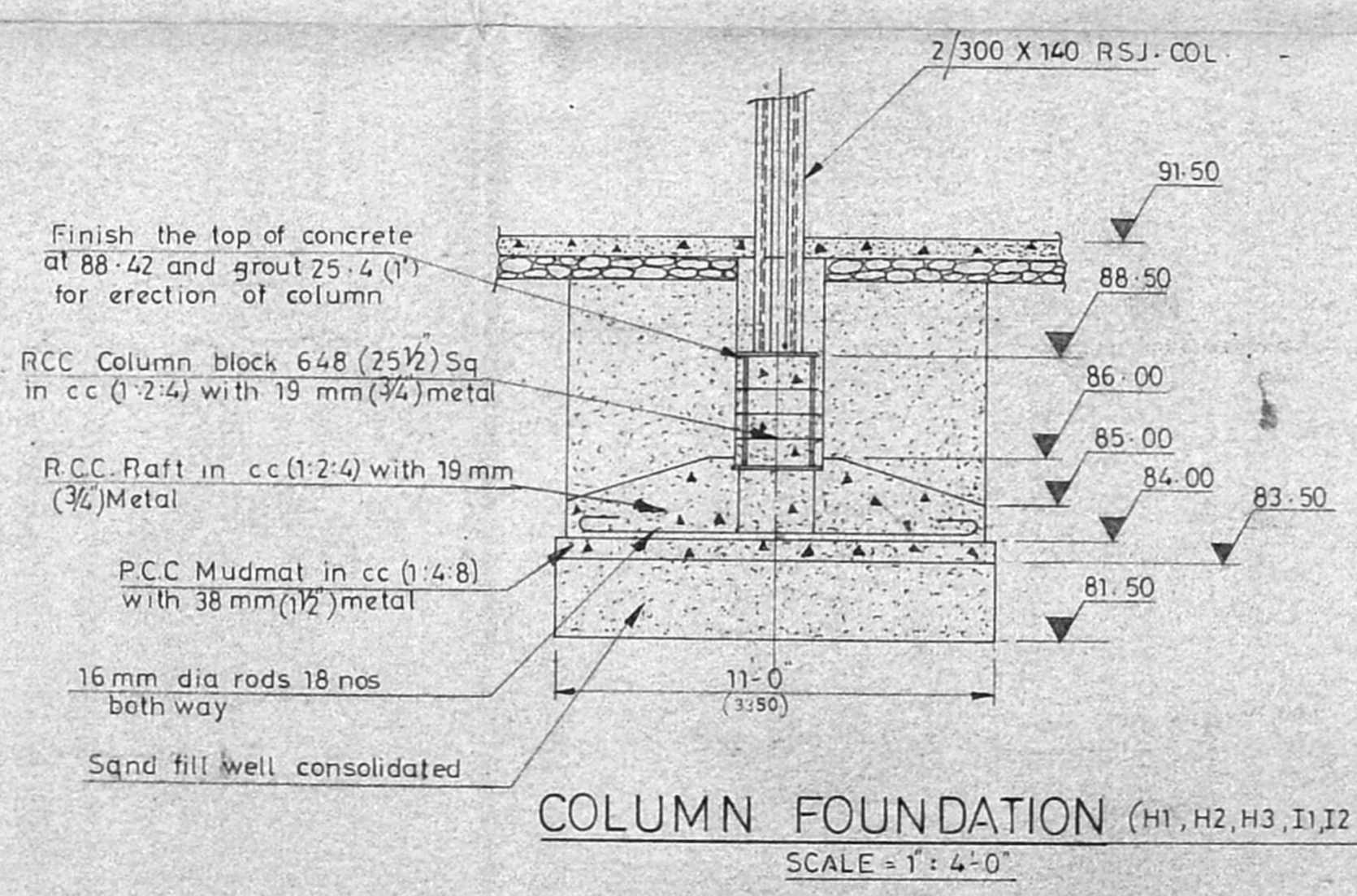
KEY PLAN
 SCALE - 1:64.0



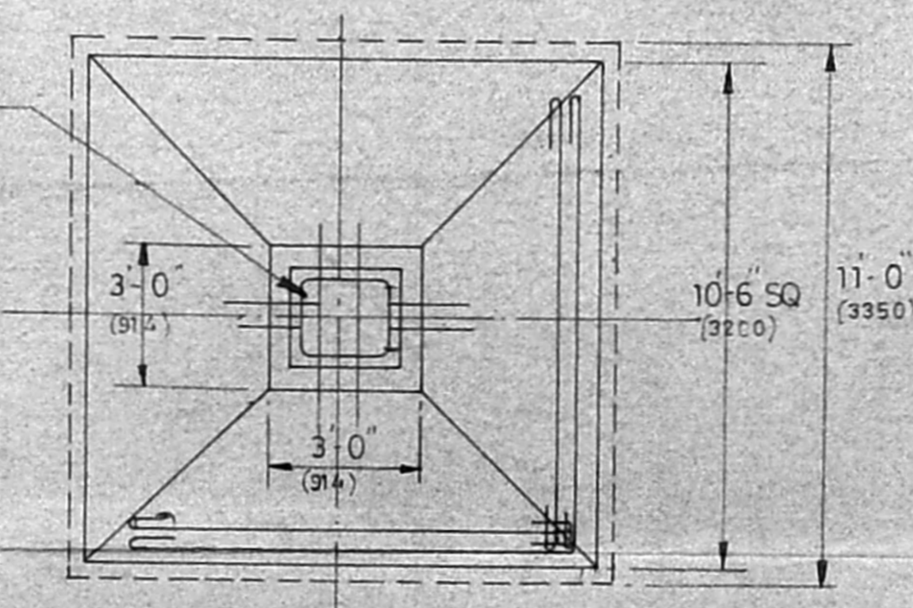
SECTION 'B B'
 SCALE - 1:2.0



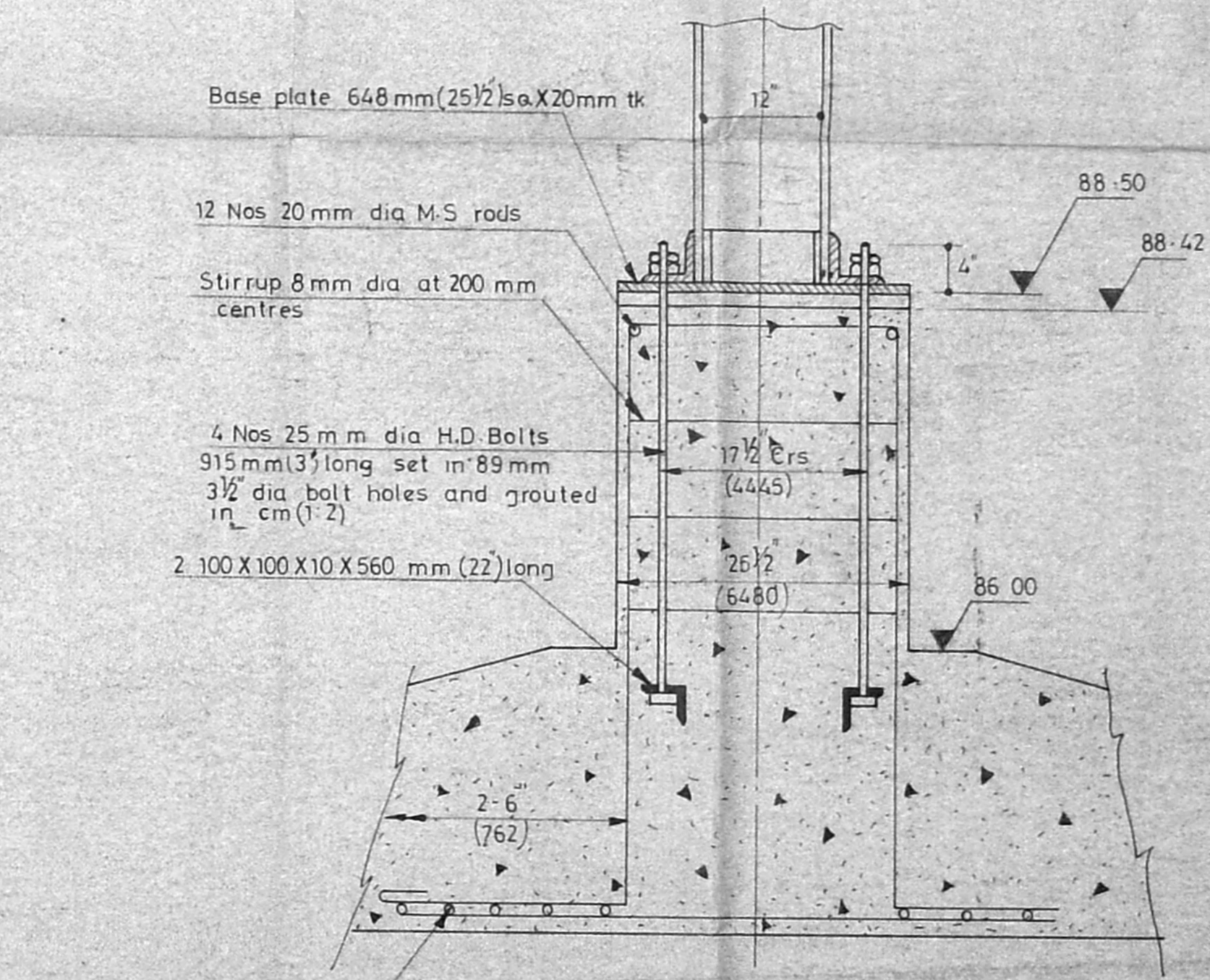
DET. OF NORTH LIGHT GLASS
 SCALE - 1:4.0



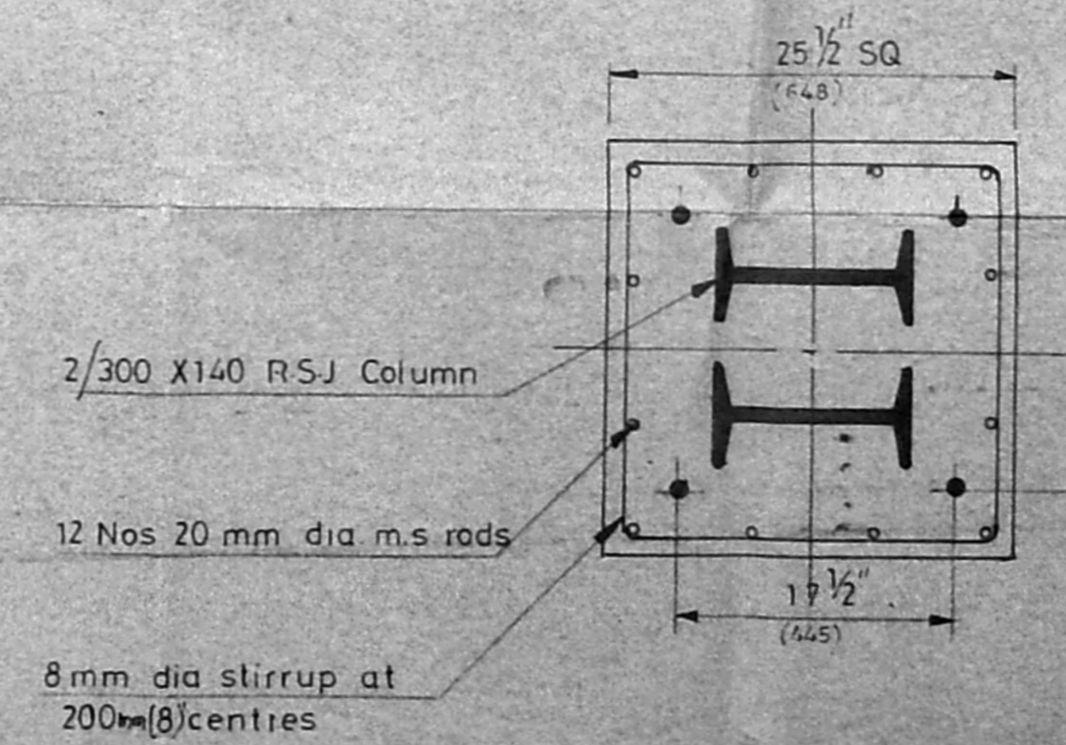
COLUMN FOUNDATION (H1, H2, H3, I1, I2 & I3)
 SCALE - 1:4.0



PLAN



ENLARGED VIEW OF FOUNDATION
 SCALE - 1:1.0



PLAN

JOINERY DETAIL

W	6'-3" X 6'-6"	STEEL WINDOW
V	3'-3" X 6'-6"	STEEL VENTILATOR
R.S	10'-0" X 11'-0"	ROLLING SHUTTER

- NOTE**
- HEIGHT OF THE WINDOWS ARE 1 M FROM FLOOR LEVEL
 - ALL THE WINDOWS ARE OPEN OUTWARDS ONLY

PROPOSED EXPANSION

P. S. SRINIVASAN,
 LICENSED BUILDING SURVEYOR
 AMBATTUR TOWN SHIP,
 545, SECTOR IV 14th STREET
 K. K. NAGAR, MADRAS-78

For LUCAS - TVS LIMITED
 V. M. Muthyanandam
 Nominated Officer

DESCRIPTION
 PROPOSED 6 BAY EXPANSION (NEAR G.R.D)

SCALE: AS ABOVE	MATERIAL:	SLNo	REVISIONS	SIG.
<p>ALL DIMENSIONS ARE IN INCHES</p> <p>TOLERANCES:</p> <p>MACHINES: OVER. UP TO 100MM ± 0.15</p> <p>SURFACES, FRACT. & 0.10</p> <p>DECIMAL & 0.05</p> <p>HOLE CENTRES: UP TO 1/2 DIA ± 0.04</p> <p>OVER 1/2 DIA ± 0.12</p>	<p>HEAT TREATMENT</p> <p>ALL DIMENSIONS ARE IN MM</p> <p>UNSPECIFIED MACHINING DEVIATION LINEAR DIMS: OVER. UP TO 100MM ± 0.15</p> <p>LENGTH OF DEVIATION SHORTER SIDE OF ANGLE: OVER. UP TO 100MM ± 0.15</p> <p>OVER. UP TO 100MM ± 0.15</p> <p>OVER. UP TO 100MM ± 0.15</p> <p>OVER. UP TO 100MM ± 0.15</p> <p>OVER. UP TO 100MM ± 0.15</p>			
<p>DRN: 2.75</p> <p>DATE: 14-3-91</p> <p>CKD: 14-3-91</p> <p>APP: 14-3-91</p>		<p>PLANT NO:</p> <p>DRAWING NO.</p> <p>W.E.C.14104/B</p> <p>SHEET NO. 3</p>		